


# Technical data sheet

## Spacer

Item number: 5408043



For stand-off installation of the isCon® conductor in the area of the connection, incl. reducing sleeve for mounting on FangFix concrete block 10 Kg.

 Fibre-glass-reinforced plastic

### Master data

Item number	5408043
Type	isCon DH
Description 1	Spacer
Description 2	for FangFix system
Manufacturer	OBO
Dimension	1000mm
Colour	Light grey
Material	Fibre-glass-reinforced plastic
Smallest sales unit	2
Unit of quantity	Piece
Weight	41.4 kg
Weight unit	kg/100 pc.

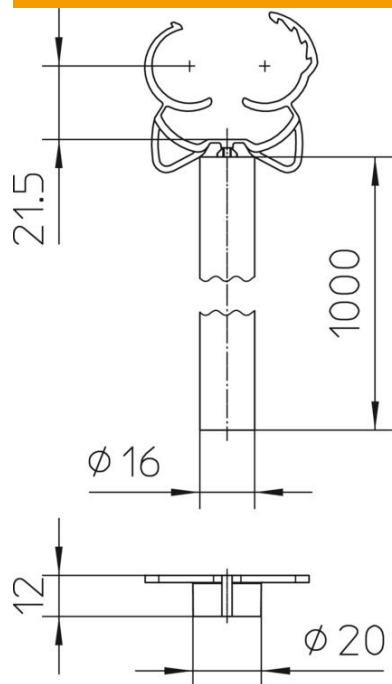
# Technical data sheet

## Spacer

Item number: 5408043



### Dimensions



Length	1,000 mm
--------	----------

### Technical data

Clamping range D, max.	26 mm
Clamping range D, min.	23 mm