

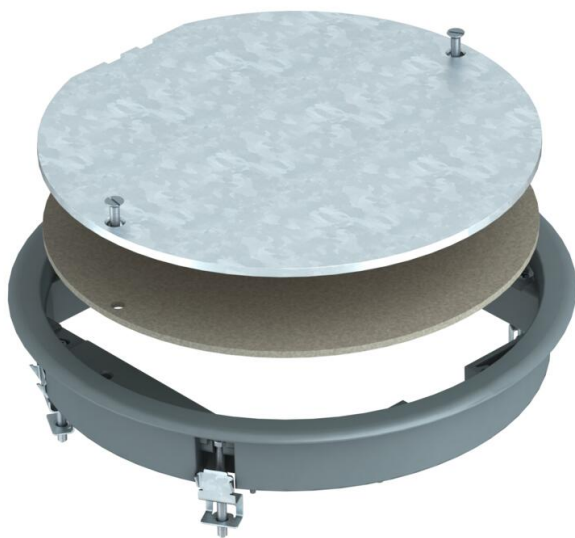
Technical data sheet

ZESR4 inspection cover

Item number: 7406772



Draw box insert for blanking locking of a square round mounting opening of nominal size R4 in trunking systems and system floors for indoor use.



PA Polyamide

Master data

Item number	7406772
Type	ZESR4 U 7011
Description 1	Junction box insert
Description 2	for universal mounting
Manufacturer	OBO
Dimension	Ø234x33
Colour	Iron grey; RAL 7011
Material	Polyamide
Smallest sales unit	1
Unit of quantity	Piece
Weight	140 kg
Weight unit	kg/100 pc.

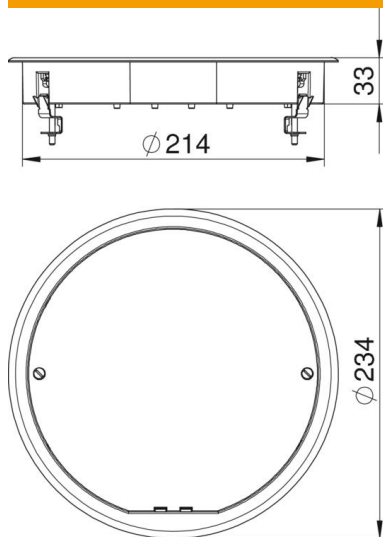
Technical data sheet

ZESR4 inspection cover

Item number: 7406772



Dimensions



Length	234 mm
Width	234 mm
Height	36 mm

Technical data

Number of installable devices	0
Version for	Round
Floor care	Dry
Floor height, min.	60 mm
Suitable for raised floor installation	yes
Suitable for screed-covered underfloor ducts	yes
Suitable for cavity floor installation	yes
Suitable for wet care	no
Suitable for underfloor box	250/350
Suitable for underfloor ducts	yes
Nominal size for device installation units	R4
Frame version	Carpet protection frame
Vertical load, large area	to 5,000 N
Vertical load, small area	to 3,000 N
Floor covering thickness	5 mm