

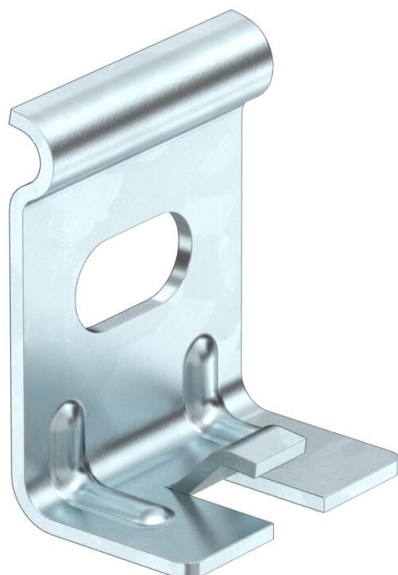
# Technical data sheet

## Wall holder for GRM 35x50 FT mesh cable tray

Item number: 6016443



Wall holder for wall fastening of mesh cable trays, type GRM 35 50.



**St** Steel

**FT** Hot-dip galvanised

### Master data

Item number	6016443
Type	WH GRM35 FT
Description 1	Wall holder
Description 2	for GRM 35 50
Manufacturer	OBO
Dimension	35x50
Material	Steel
Surface	Hot-dip galvanised
Surface standard	DIN EN ISO 1461
Smallest sales unit	10
Unit of quantity	Piece
Weight	1.95 kg
Weight unit	kg/100 pc.

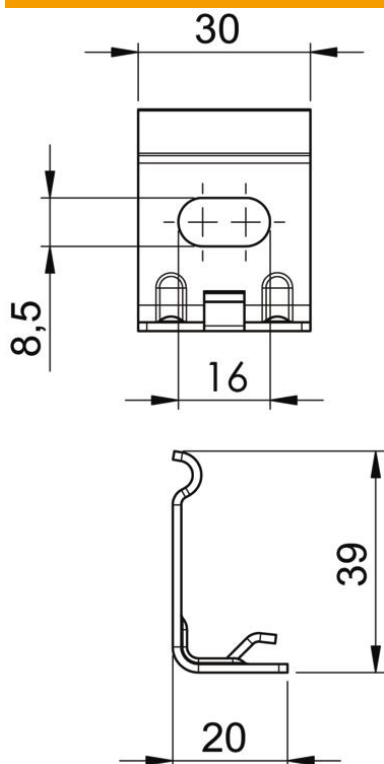
# Technical data sheet

Wall holder for GRM 35x50 FT mesh cable tray

Item number: 6016443



## Dimensions



Width	50 mm
Width	1.97 in
Height	35 mm