

Technical data sheet

HoverCube VH-4, 3x earthing pin socket, 1x CEE 16 A

Item number: 6109808



Housing equipped and pre-wired with suspension lug, grip hook and four cover plates.

Equipped as follows: 3x single sockets with earthing pin 16 A/250 V with increased touch protection, pre-wired for an AC current, connection via 1x 3-pin terminal, 1x CEE socket

16 A/415 V, with partition for circuit separation.



PA Polyamide

Master data

Item number	6109808
Type	VH-4 3SF1C16
Description 1	HoverCube
Description 2	IP20, with grip, NF-equipped
Manufacturer	OBO
Dimension	140x140x252
Colour	Graphite black; RAL 9011
Material	Polyamide
Smallest sales unit	1
Unit of quantity	Piece
Weight	115.7 kg
Weight unit	kg/100 pc.

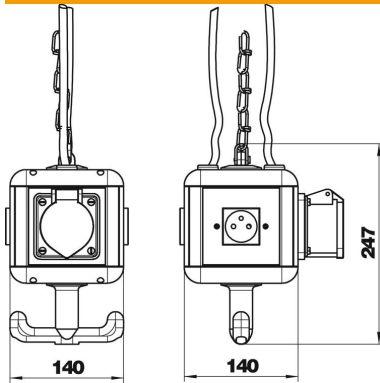
Technical data sheet

HoverCube VH-4, 3x earthing pin socket, 1x CEE 16 A



Item number: 6109808

Dimensions



Width	140 mm
Height	247 mm

Technical data

Number of SCHUKO sockets	0
CEE socket, 125 A	Without
CEE socket, 16 A	1x16A5p400V
CEE socket, 32 A	Without
CEE socket, 63 A	Without
Supply/connection option	Miscellaneous
FI protection switch	Without
Handling	abhängbar
Military version	no
Protection rating	IP20
Other installations and/or empty slots	3
Depth	196 mm
Number of CEE sockets	1
Number of compressed air connections	0