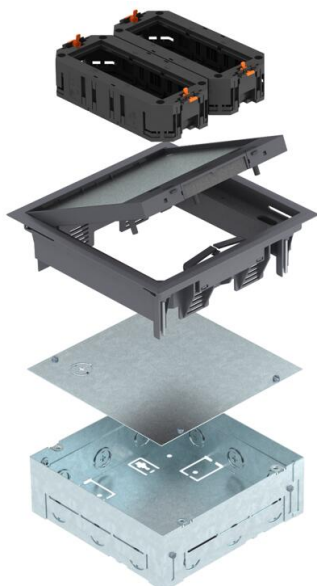


Technical data sheet

Complete solution, GES4 service outlet

Item number: 7427460



Square installation unit with cord outlet for use in dry-care cavity floors and screed floors for indoor use, consisting of an installation housing and GES4-2 service outlet (colour Iron grey; RAL 7011) with two universal supports. Installation housing with pre-marked insertion openings for pipelines (M25), adjustable to top edge of screed. In the as-delivered state, the installation housing is closed with a blanking lid. After screed work, the service outlet can be inserted in the created mounting opening. 3, 5, 8 or 10 mm floor covering recess in the hinged cover of the service outlet.

The minimum installation depth is 72 mm including floor covering, the height adjustment range +30 mm.

Up to 6 individual Modul 45® devices can be installed.



PA Polyamide

Master data

| | |
|---------------------|---------------------------|
| Item number | 7427460 |
| Type | UD GES4-2 7011 |
| Description 1 | Service outlet |
| Description 2 | with installation housing |
| Manufacturer | OBO |
| Dimension | 222x222x140 |
| Colour | Iron grey; RAL 7011 |
| Material | Polyamide |
| Smallest sales unit | 1 |
| Unit of quantity | Piece |
| Weight | 290 kg |
| Weight unit | kg/100 pc. |

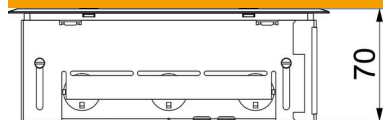
Technical data sheet

Complete solution, GES4 service outlet

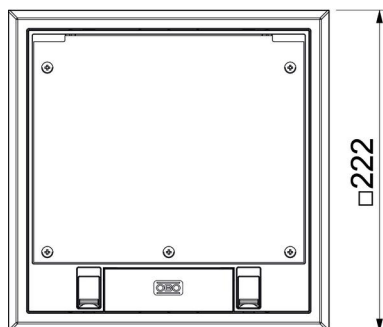
Item number: 7427460



Dimensions



| | |
|--------|--------|
| Length | 205 mm |
| Width | 205 mm |



Technical data

| | |
|------------------------------------|-------------------------|
| Cable outlet version | Swivellable cord outlet |
| Screed height, max. | 100 mm |
| Screed height, min. | 80 mm |
| Protection rating (IP) when used | IP20 |
| Protection rating (IP) when unused | IP40 |
| Protection rating IK code | IK08 |
| Installation system type | UT3 |
| Opening mechanism | Locking slider |
| Floor covering thickness | 5 mm |