

# Technical data sheet

## FireBox T100ED external fastening with fuse holder

Item number: 7205563



Halogen-free junction box with pre-mounted, soft plug-in seals, approved for the maintenance of electrical functionality according to DIN 4102 Part 12. Maintenance of electrical functionality classes E30 to E90.

Colour: Pastel orange.

Fully mounted connection unit made of high temperature-resistant special ceramic and labelled protective conductor terminal. Supplied with fuse holder TE-FH 520 for VDE-conformant, reaction-free protection of consumers and 2 fire protection screw ties MMS 6x50 for anchorless fastening on the external shackles. Nominal cross-section of power cable: Max. 10 mm<sup>2</sup>. Maximum of two 4 mm<sup>2</sup> rigid copper cables per terminal. High protection rating IP66, impact resistance class IK08.

Details on the cable types and manufacturers can be found in the general construction test certificate of the material testing institute NRW, Erwitte. Number of terminals including protective conductor terminal.

Internal clearance: 136x102x57 mm.



PP Polypropylene

### Master data

Item number	7205563
Type	T 100 ED 10-6 AF
Description 1	Junction box
Description 2	E30/E90, with fuse holder
Manufacturer	OBO
Dimension	150x116x67
Colour	Pastel orange; RAL 2003
Material	Polypropylene
Smallest sales unit	1
Unit of quantity	Piece
Weight	43.34 kg
Weight unit	kg/100 pc.

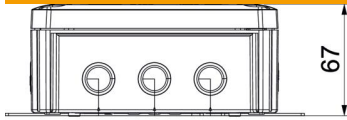
# Technical data sheet

## FireBox T100ED external fastening with fuse holder

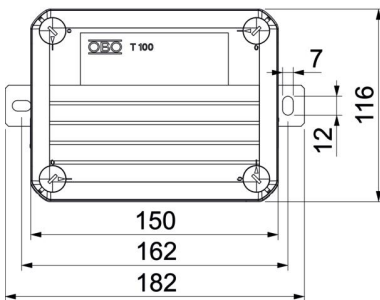


Item number: 7205563

### Dimensions



Length	150 mm
Width	116 mm
Height	67 mm



### Technical data

Expandable	no
No. of entries	10
Number of terminals	6
Type of housing penetration	Cuttable stepped membrane
Measured insulation voltage $V_i$	690 V
Equipment	Terminal
Cover	Not transparent
Cover fastening	Screwed
Entry from rear	no
Entries	8x M25 2x M32
Explosion-tested version	no
Shape	Rectangular
Maintain electrical functions	E 90
For Ex zone	Without
For Ex zone gas	Without
For Ex zone dust	Without
Halogen-free	yes
Clear internal dimensions	136x102x57 mm
With screening	no
with lid	yes
Nominal cross-section, min.	10 mm <sup>2</sup>
Nominal voltage	660 V
Sealable	no
Impact-resistant	no
Protection rating	IP66
Weatherproof	no