

# Technical data sheet

## FireBox T100ED with external fastening

Item number: 7205543



Halogen-free junction box with pre-mounted, soft plug-in seals, approved for the maintenance of electrical functionality according to DIN 4102 Part 12. Maintenance of electrical functionality classes E30 to E90.

Colour: Pastel orange.

Fully mounted connection unit made of high temperature-resistant special ceramic and labelled protective conductor terminal. Supplied with 2 MMS 6x50 fire protection screw ties for anchorless fastening on the external straps.

Nominal cross-section of power cable: Max. 10 mm<sup>2</sup>. Maximum of two 4 mm<sup>2</sup> rigid copper cables per terminal.

High protection rating IP66, impact resistance class IK08.

Details on the cable types and manufacturers can be found in the general construction test certificate of the material testing institute NRW, Erwitte. Number of terminals including protective conductor terminal.

Internal clearance: 136x102x57 mm.



PP Polypropylene

### Master data

|                     |                          |
|---------------------|--------------------------|
| Item number         | 7205543                  |
| Type                | T 100 ED 10-5 A          |
| Description 1       | Junction box             |
| Description 2       | for function maintenance |
| Manufacturer        | OBO                      |
| Dimension           | 150x116x67               |
| Colour              | Pastel orange; RAL 2003  |
| Material            | Polypropylene            |
| Smallest sales unit | 1                        |
| Unit of quantity    | Piece                    |
| Weight              | 40.6 kg                  |
| Weight unit         | kg/100 pc.               |

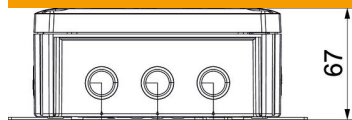
# Technical data sheet

## FireBox T100ED with external fastening

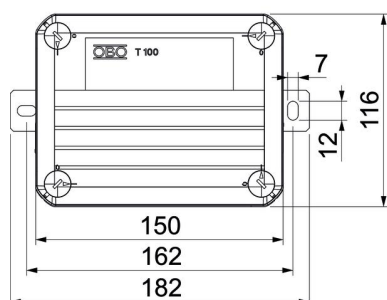
Item number: 7205543



### Dimensions



|        |        |
|--------|--------|
| Length | 150 mm |
| Width  | 116 mm |
| Height | 67 mm  |



### Technical data

|                                   |                           |
|-----------------------------------|---------------------------|
| Expandable                        | no                        |
| No. of entries                    | 10                        |
| Number of terminals               | 5                         |
| Type of housing penetration       | Cuttable stepped membrane |
| Measured insulation voltage $V_i$ | 690 V                     |
| Equipment                         | Terminal                  |
| Cover                             | Not transparent           |
| Cover fastening                   | Screwed                   |
| Entry from rear                   | no                        |
| Entries                           | 8x M25<br>2x M32          |
| Explosion-tested version          | no                        |
| Shape                             | Rectangular               |
| Maintain electrical functions     | E 90                      |
| For Ex zone                       | Without                   |
| For Ex zone gas                   | Without                   |
| For Ex zone dust                  | Without                   |
| Halogen-free                      | yes                       |
| Clear internal dimensions         | 136x102x57 mm             |
| With screening                    | no                        |
| with lid                          | yes                       |
| Nominal cross-section, min.       | 10 mm <sup>2</sup>        |
| Nominal voltage                   | 660 V                     |
| Sealable                          | no                        |
| Impact-resistant                  | no                        |
| Protection rating                 | IP66                      |
| Weatherproof                      | no                        |