

# Technical data sheet

## Protective conductor terminal

Item number: 7205714



Protective conductor terminal for refitting of the FireBox T series with green-yellow identification.



### Master data

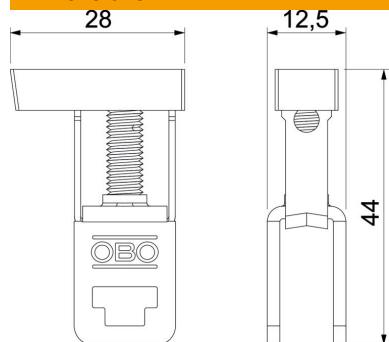
Item number	7205714
Type	TPE 35
Description 1	Protective conductor terminal
Description 2	for FireBox T
Available from	04.07.2022
Manufacturer	OBO
Dimension	28x12,5x44
Colour	Yellow green
Smallest sales unit	5
Unit of quantity	Piece
Weight	1.87 kg
Weight unit	kg/100 pc.

# Technical data sheet

## Protective conductor terminal

Item number: 7205714

### Dimensions



Width	12.5 mm
Dimension B	28 mm
Dimension H	44 mm
Dimension L	12.5 mm

### Technical data

Suitable for ribbon conductor connection	no
Suitable for round cable connection	yes
Suitable for sector conductor connection	no
Max. Measuring operating current	140 A
Max. Conductor cross-section	35 mm <sup>2</sup>
Bus bar width	6 mm
Bus bar thickness	2.5 mm
Suitable for busbar	Flat rail