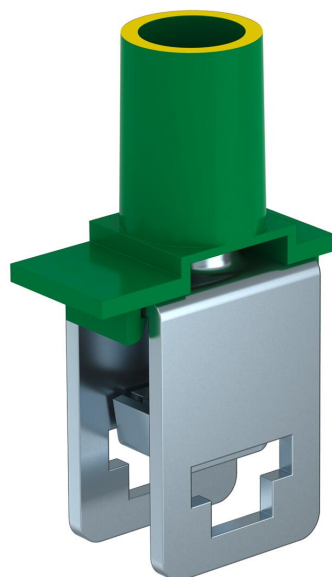


# Technical data sheet

## Protective conductor terminal

Item number: 7205710



Protective conductor terminal for refitting of the FireBox T series with green-yellow identification.



### Master data

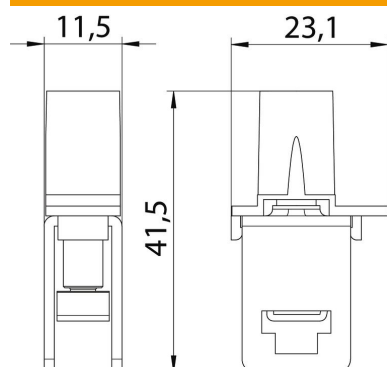
Item number	7205710
Type	TPE 25
Description 1	Protective conductor terminal
Description 2	for FireBox T
Manufacturer	OBO
Dimension	25 mm <sup>2</sup>
Smallest sales unit	5
Unit of quantity	Piece
Weight	1.44 kg
Weight unit	kg/100 pc.

# Technical data sheet

## Protective conductor terminal

Item number: 7205710

### Dimensions



Dimension B	23 mm
Dimension H	42 mm
Dimension L	12 mm

### Technical data

Suitable for ribbon conductor connection	no
Suitable for round cable connection	yes
Suitable for sector conductor connection	no
Max. Measuring operating current	140 A
Max. Conductor cross-section	25 mm <sup>2</sup>
Bus bar width	10 mm
Bus bar thickness	3 mm
Suitable for busbar	Flat rail