

Technical data sheet

FireBox T100 with plug-in seals, single terminals

Item number: 7205740



Connection box with soft plug-in seals. Sufficiently large wiring compartment through diagonally arranged connection unit with completely pre-mounted, high-temperature-resistant ceramic terminals. Green-yellow labelled protective conductor terminal. Fastening on easily accessible external flaps. Approved for cable systems that maintain the electrical function according to DIN 4102 Part 12 with the classes E30, E60 and E90. Ceramic clamps have been tested according to DIN EN 60998-2-1:2004.

Including 2 x MMSplus P 6x35 screw ties.



Master data

| | |
|---------------------|--------------------------|
| Item number | 7205740 |
| Type | T100ED 06A |
| Description 1 | Junction box |
| Description 2 | for function maintenance |
| Manufacturer | OBO |
| Dimension | 150x116x67 |
| Colour | Pastel orange; RAL 2003 |
| Material | Polypropylene |
| Smallest sales unit | 1 |
| Unit of quantity | Piece |
| Weight | 42.73 kg |
| Weight unit | kg/100 pc. |

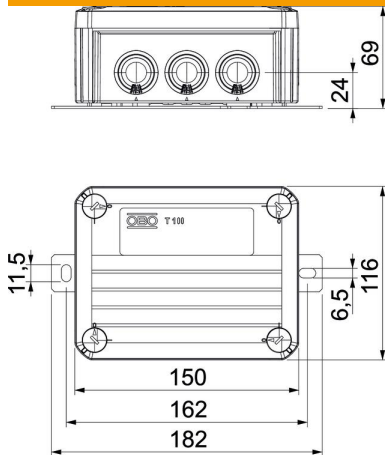
Technical data sheet

FireBox T100 with plug-in seals, single terminals



Item number: 7205740

Dimensions



| | |
|--------------|--------|
| Length | 150 mm |
| Width | 116 mm |
| Height | 67 mm |
| Dimension B | 116 mm |
| Dimension H | 67 mm |
| Dimension L | 150 mm |
| Dimension L1 | 162 mm |
| Dimension L2 | 182 mm |

Technical data

| | |
|-----------------------------------|---------------------------|
| Expandable | no |
| No. of entries | 10 |
| Number of terminals | 5 |
| Type of housing penetration | Cuttable stepped membrane |
| Measured insulation voltage V_i | 690 V |
| Equipment | Terminal |
| Cover | Not transparent |
| Cover fastening | Screwed |
| Entry from rear | no |
| Entries | 8x M25 2x M32 |
| Explosion-tested version | no |
| Shape | Rectangular |
| Maintain electrical functions | E 90 |
| For Ex zone | Without |
| For Ex zone gas | Without |
| For Ex zone dust | Without |
| Halogen-free | yes |
| Clear internal dimensions | 136x102x57 mm |
| With screening | no |
| with lid | yes |
| Nominal cross-section, min. | 6 mm ² |
| Nominal voltage | 660 V |
| Sealable | no |
| Impact-resistant | no |
| Protection rating | IP66 |
| Weatherproof | no |