

Technical data sheet

Stainless steel sleeve V4A

Item number: 2046770



Accessory part: plug-in sleeve for the connections between electrical installation pipes. With burr-free inner wall.



A4 Stainless steel

2B Bright, treated

Master data

Item number	2046770
Type	SV16W A4
Description 1	Stainl.steel connection sleeve
Description 2	without thread
Manufacturer	OBO
Dimension	Ø16mm
Material	Stainless steel
Surface	Bright, treated
Surface standard	
Smallest sales unit	10
Unit of quantity	Piece
Weight	2.1 kg
Weight unit	kg/100 pc.

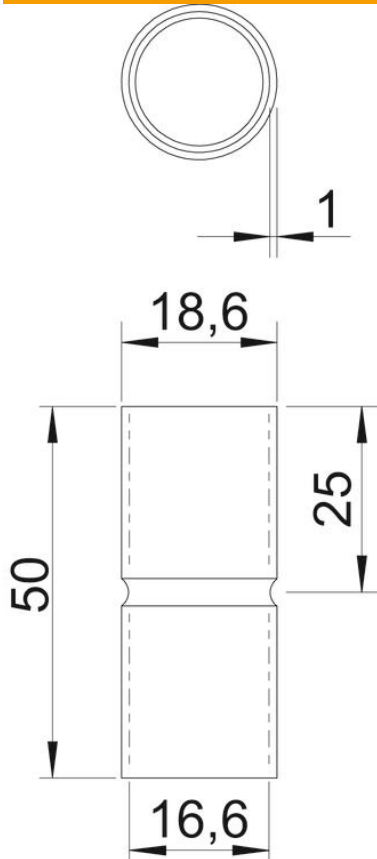
Technical data sheet

Stainless steel sleeve V4A

Item number: 2046770



Dimensions



Length	50 mm
Dimension D	18.2 mm
Dimension d	16.2 mm
Dimension L	50 mm
Dimension l	25 mm
Dimension m (mm)	M16
Dimension t	1 mm

Technical data

Version for pipe diameter	16 mm
Size	16
Halogen-free	yes
With inspection opening and lid	no
Brushed surface	yes
Polished surface	no
Permitted temperature range, max.	400 °C
Permitted temperature range, min.	-45 °C
Two-part	no