

Technical data sheet

Black powder-coated steel bend, with thread

Item number: 2046794



90° bend for electrical installation pipes according to EN 61386-1 with threaded ends to DIN EN 60423. With burr-free inner wall.
One connection sleeve is already screwed onto each pipe bend.



St Steel

PE50 PES50 - Polyester/epoxy

Master data

Item number	2046794
Type	SBNM20 SW
Description 1	Conduit threaded bend
Description 2	with threaded coupler
Manufacturer	OBO
Dimension	M20x1,5
Colour	Jet black; RAL 9005
Material	Steel
Surface	PES50 - Polyester/epoxy
Surface standard	
Smallest sales unit	25
Unit of quantity	Piece
Weight	21 kg
Weight unit	kg/100 pc.

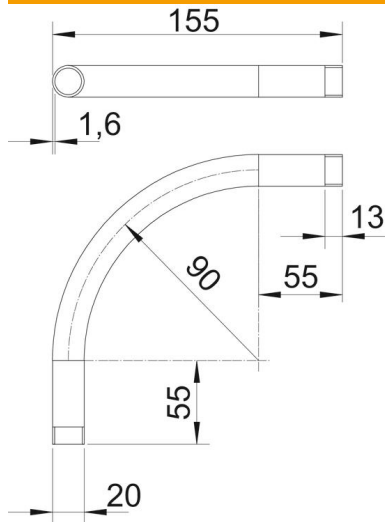
Technical data sheet

Black powder-coated steel bend, with thread

Item number: 2046794



Dimensions



Dimension A	55 mm
Dimension B	155 mm
Dimension D	20 mm
Dimension l	13 mm
Dimension m (mm)	M20
Dimension R	90 mm
Dimension t	1.6 mm

Technical data

Version for	Thread
Flexible	no
For nominal pipe diameter	20 mm
Thread	M20x1,5
Halogen-free	no
With inspection opening and lid	no
With sleeve	yes
Brushed surface	no
Polished surface	no
Angle of the bend	90 °
Two-part	no