

# Technical data sheet

## Hot-dip galvanised steel bend, without thread

Item number: 2046816



90° bend with moulded sleeves, for electrical installation pipes according to EN 61386-1. With burr-free inner wall.



**St** Steel

**FT** Hot-dip galvanised

### Master data

Item number	2046816
Type	SBN16 FT
Description 1	Conduit plug-in bend
Description 2	without thread
Manufacturer	OBO
Dimension	Ø16mm
Material	Steel
Surface	Hot-dip galvanised
Surface standard	DIN EN ISO 1461
Smallest sales unit	15
Unit of quantity	Piece
Weight	7.4 kg
Weight unit	kg/100 pc.

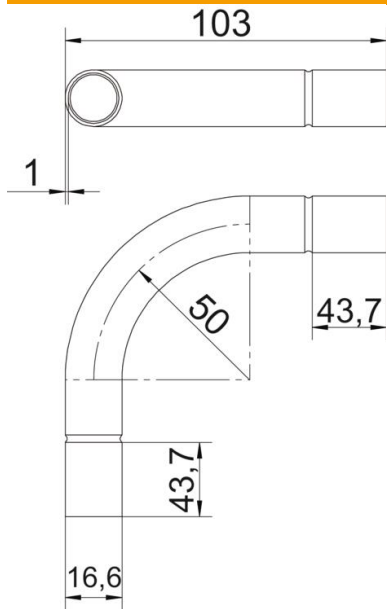
# Technical data sheet

## Hot-dip galvanised steel bend, without thread

Item number: 2046816



### Dimensions



Dimension A	43.7 mm
Dimension B	103 mm
Dimension D	18.6 mm
Dimension d	16.6 mm
Dimension l	25 mm
Dimension m (mm)	M16
Dimension R	50 mm
Dimension t	1 mm

### Technical data

Version for	Connector
Flexible	no
For nominal pipe diameter	50 mm
Halogen-free	no
With inspection opening and lid	no
With sleeve	yes
Brushed surface	no
Polished surface	no
Permitted temperature range, max.	400 °C
Permitted temperature range, min.	-45 °C
Angle of the bend	90 °
Two-part	no