

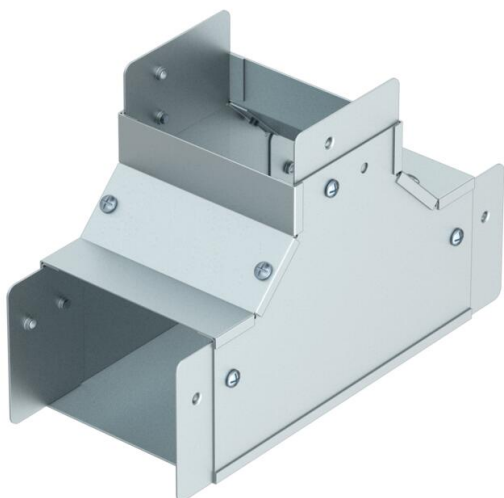
Technical data sheet

T branch piece 100, with internal cover FS

Item number: 6081726



Internal T branch piece with cover, for use on single compartment cable ducts.



St Steel

FS Strip galvanized

Master data

Item number	6081726
Type	SA44TIN
Description 1	Tee internal with cover
Description 2	internal
Manufacturer	Trench
Dimension	100x100
Material	Steel
Surface	Strip galvanized
Surface standard	DIN EN 10346
Smallest sales unit	14
Unit of quantity	Piece
Weight	102 kg
Weight unit	kg/100 pc.

Technical data sheet

T branch piece 100, with internal cover FS

Item number: 6081726



Dimensions

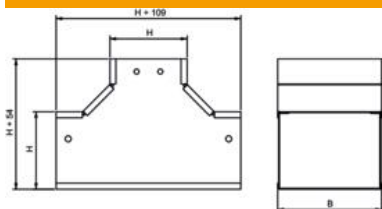


Plate thickness	1 mm
Dimension B	100 mm
Dimension H	100 mm