

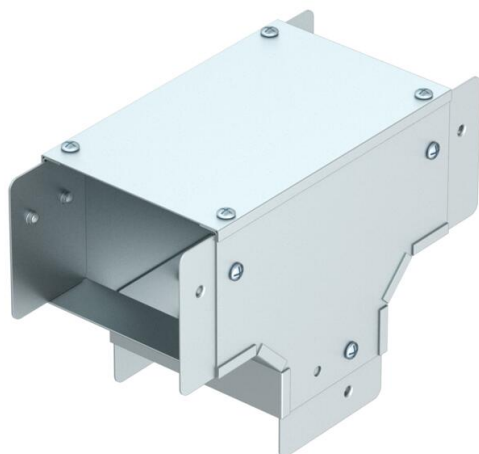
Technical data sheet

T branch piece 100, with external cover FS

Item number: 6081786



External T branch piece with cover, for use on single-compartment cable ducts.



St Steel

FS Strip galvanized

Master data

Item number	6081786
Type	SA44TEX
Description 1	Tee external with cover
Description 2	external
Manufacturer	Trench
Dimension	100x100
Material	Steel
Surface	Strip galvanized
Surface standard	DIN EN 10346
Smallest sales unit	18
Unit of quantity	Piece
Weight	83 kg
Weight unit	kg/100 pc.

Technical data sheet

T branch piece 100, with external cover FS

Item number: 6081786



Dimensions

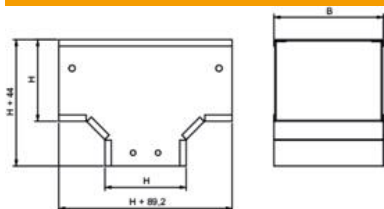


Plate thickness	1 mm
Dimension B	100 mm
Dimension H	100 mm