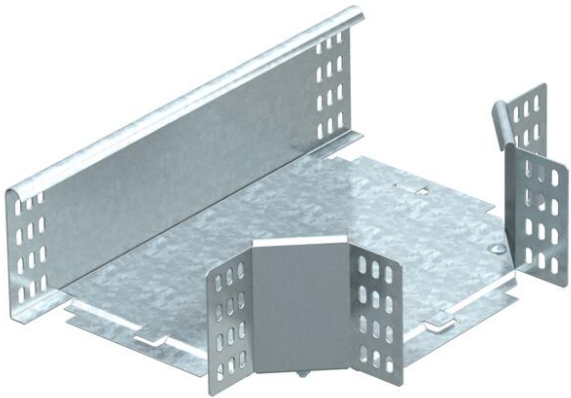


Technical data sheet

T branch piece 110 FT

Item number: 7119313



Horizontal T branch piece, for all cable tray types of 110 mm side height.
The fitting is shipped in an unmounted state. Including appropriate fastening material.



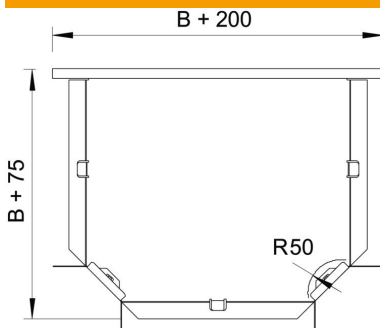
St Steel

FT Hot-dip galvanised

Master data

Item number	7119313
Type	RT 130 FT
Description 1	T-branch piece
Description 2	horizontal + angle connector
Manufacturer	OBO
Dimension	110x300
Material	Steel
Surface	Hot-dip galvanised
Surface standard	DIN EN ISO 1461
Smallest sales unit	1
Unit of quantity	Piece
Weight	250 kg
Weight unit	kg/100 pc.

Dimensions



Width	300 mm
Width	12 in
Height	110 mm
Dimension B	300 mm
Dimension R	50 mm

Technical data sheet

T branch piece 110 FT

Item number: 7119313



Technical data

Bend (angle)	90°
Connector version	Supplied connectors
Maintain electrical functions	no
NATO hole pattern	no
Change of direction	Horizontal
Rustproof steel, pickled	no
Wide-span version	no
Type of connector, cable support system	Screwed
Rail thickness	1.25 mm