

Technical data sheet

Height-adjustable cassette for inspection opening, RKR-NUZD3, stainless steel
Item number: 7409140



Height-adjustable "blank" cassette, decoupled from the floor, for the creation of an inspection opening of nominal size R4 in dry or wet-cleaned floors for indoor use, for mounting in underfloor boxes UZD250-3 or UZD350-3, either in conjunction with a blanking lid DUG..R4 or in UGD250-3R4 or UGD350-3R4. Mounting takes place using levelling profiles (order separately) in the aluminium frame profile of the underfloor boxes. Only suitable for smooth floor coverings. Height-adjustable cassette as a blind cassette, two-compartment. 2 APMT2 cover plates can be installed. For the installation of 2 UT3 universal supports for 4 individual installation devices with support ring/support clamp or 6 Modul 45 devices.



A2 Stainless steel

Master data

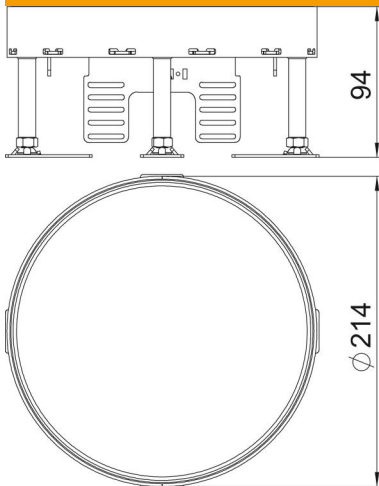
Item number	7409140
Type	RKRN2UZD3R4VS25
Description 1	Round cassette
Description 2	blank
Manufacturer	OBO
Dimension	Ø215mm
Material	Stainless steel
Smallest sales unit	1
Unit of quantity	Piece
Weight	194 kg
Weight unit	kg/100 pc.

Technical data sheet

Height-adjustable cassette for inspection opening, RKR-NUZD3, stainless steel
Item number: 7409140



Dimensions



Length	214 mm
Width	214 mm
Height	94 mm

Technical data

Number of installable devices	0
Number of cable outlets	0
Version for	Round
Floor care	Wet
Decouplable	yes
Floor height, min.	94 mm
Suitable for raised floor installation	no
Suitable for cavity floor installation	no
Suitable for underfloor box	250/350
Device support to accept mounting boxes	no
Nominal size for device installation units	R4
Protection rating (IP) when used	IP00
Protection rating (IP) when unused	IP44
Protection rating IK code	IK10
Heavy-duty version	no
Installation system type	UT3
Vertical load, large area	to 5,000 N
Vertical load, small area	to 3,000 N
Approvals	VDE
Floor covering thickness	25 mm