

# Technical data sheet

Height-adjustable heavy-duty cassette, blank, RKRSL, nominal size R4, stainless steel  
Item number: 7409074



Round, "blank", heavy-duty cassette of nominal size R4 for the creation of an inspection opening in trunking systems, raised and cavity floors, in dry or wet-care floors for indoor use. Load class 2 to 20 kN. Only suitable for smooth floor coverings.

Height-adjustable heavy-duty cassette as a blind cassette with a load bearing capacity of 2–20 kN, 2-compartment. 2 APMT2 cover plates can be installed. For the installation of 2 UT3 universal supports for 4 individual installation devices with support ring/support clamp or 6 Modul 45 devices for indoor use.



A2 Stainless steel

## Master data

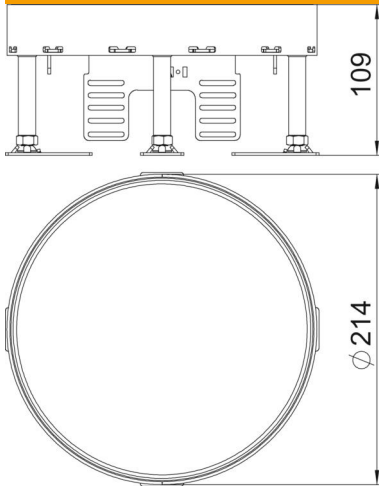
Item number	7409074
Type	RKR2 4SL2 V2 25
Description 1	Heavy-duty cassette
Description 2	blank, 20 kN
Manufacturer	OBO
Dimension	Ø215mm
Material	Stainless steel
Smallest sales unit	1
Unit of quantity	Piece
Weight	624 kg
Weight unit	kg/100 pc.

# Technical data sheet

Height-adjustable heavy-duty cassette, blank, RKRSL, nominal size R4, stainless steel  
Item number: 7409074



## Dimensions



Dimension h 109 mm

## Technical data

Number of installable devices	0
Version for	Round
Cable outlet version	No cable outlet
Floor care	Wet
Decouplable	no
Floor height, max.	159 mm
Floor height, min.	109 mm
Suitable for raised floor installation	yes
Suitable for cavity floor installation	yes
Suitable for underfloor box	250/350
Device support to accept mounting boxes	yes
Nominal size for device installation units	R4
Height-adjustment range, max.	159 mm
Height-adjustment range, min.	109 mm
Protection rating (IP) when used	IP00
Protection rating (IP) when unused	IP44
Protection rating IK code	IK10
Heavy-duty version	yes
Heavy load class	20 kN (OBO SL2)
Installation system type	UT3
Floor covering thickness	25 mm