

Technical data sheet

Frame cassette for tube body, RKF, nominal size 250-3,
stainless steel

Item number: 7409406



Frame cassette for tube body, for UZD250-3, for the installation of accessories in
dry or wet-cleaned floors indoors.



A2 Stainless steel

Master data

Item number	7409406
Type	RKF3 V2 20
Description 1	Frame cassette
Description 2	for tube
Manufacturer	OBO
Dimension	283x283x20
Material	Stainless steel
Smallest sales unit	1
Unit of quantity	Piece
Weight	415.7 kg
Weight unit	kg/100 pc.

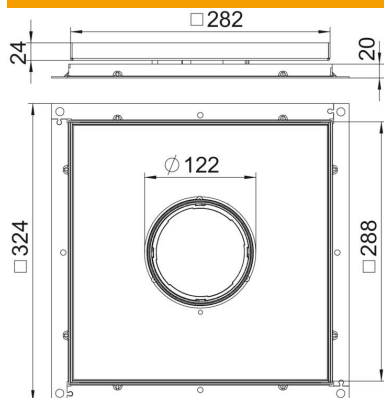
Technical data sheet

Frame cassette for tube body, RKF, nominal size 250-3,
stainless steel

Item number: 7409406



Dimensions



Dimension A	324 mm
Dimension B	288 mm
Dimension C	282 mm
Dimension h	20 mm

Technical data

Number of cable outlets	1
Cable outlet version	Lowerable tube body
Floor care	Wet
Suitable for	Underfloor socket structure
Device support to accept mounting boxes	no
Floor covering thickness	18 mm