

Technical data sheet

90° adjustable bend, vertical 60 A2

Item number: 7138148



90° adjustable vertical bend, for all cable tray types with a side height of 60 mm. The bend is shipped in an unmounted state. No additional fastening materials are required.



A2 Stainless steel

2B Bright, treated

Master data

Item number	7138148
Type	RGBV 630 A2
Description 1	Adjustable bend
Description 2	vertical
Manufacturer	OBO
Dimension	60x300
Material	Stainless steel
Surface	Bright, treated
Surface standard	
Smallest sales unit	1
Unit of quantity	Piece
Weight	265 kg
Weight unit	kg/100 pc.

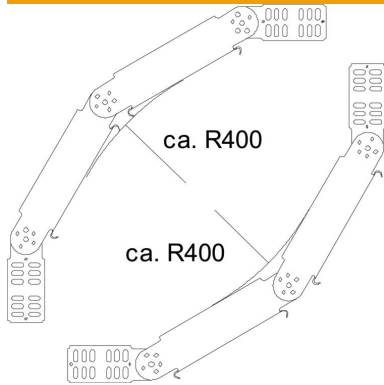
Technical data sheet

90° adjustable bend, vertical 60 A2

Item number: 7138148



Dimensions



Width	300 mm
Width	12 in
Height	60 mm
Height	2 in
Plate thickness	1 mm
Dimension R	400 mm

Technical data

Bend (angle)	90°
Connector version	Supplied connectors
Type	Adjustable bend_complete
Maintain electrical functions	no
Mounting perforation in base	no
NATO hole pattern	no
Change of direction	Vertical, rising/falling
Rustproof steel, pickled	no
Side perforation	no
Wide-span version	no
Type of connector, cable support system	Screwed