

# Technical data sheet

## Combined protection device 2in1 for CCTV camera systems

Item number: 5081070



Combination protection device for IP-based TV/camera systems

- Protection of power and data interface in a single device
- In aluminium housing
- Simple mounting with adapter plug
- Two-stage protection circuit
- Three-pole power connection for the power interface
- RJ45 connection for the data interface
- With LED operation display (OS)
- Incl. DIN rail fastening set

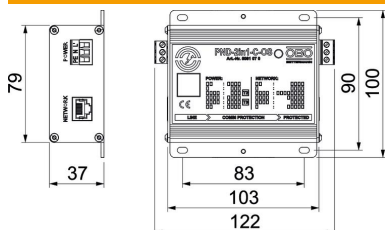
Application: Protection of CCTV, video signals, (IP) cameras and/or TV systems



### Master data

Item number	5081070
Type	PND-2in1-C-OS
Description 1	Combined prot. device 2in1
Description 2	for analogue CCTV applications
Manufacturer	OBO
Dimension	230V
Smallest sales unit	1
Unit of quantity	Piece
Weight	27 kg
Weight unit	kg/100 pc.

### Dimensions



Length	122.5 mm
Width	100 mm
Height	37.1 mm

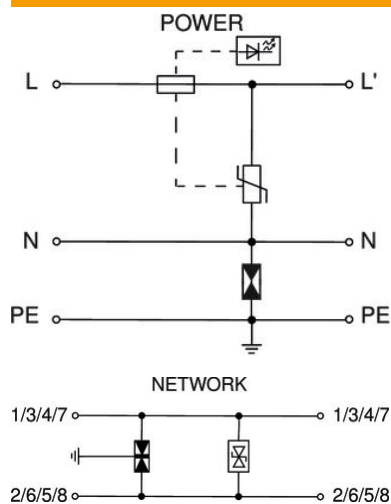
# Technical data sheet

## Combined protection device 2in1 for CCTV camera systems

Item number: 5081070



### Technical data



Earthing via:	Connection cable / DIN rail
Frequency range, min.	0
Cut-off frequency	100 MHz
Maximum continuous voltage (L-N)	255 V
Maximum continuous voltage AC	5.65
Maximum continuous voltage DC	8
Impulse discharge current (10/350)	0.5 kA
Kategorie	Type 1+2+3 / D1+C2+C1
Idle voltage	10 kV
Lightning protection zone LPZ	1→3
Maximum discharge current (8/20 µs)	10 kA
Nominal discharge current (8/20 µs)	5 kA
Rated current	16 A
Testing standard	IEC 61643-21
Shielding connection available	yes
Screening	Direct
Protection rating	IP20
Protection level	<1,3 kV
Protection level wire-wire	<40 V
Protection level wire-earth	<450 V
SPD to EN 61643-11	Type 2+3
SPD to IEC 61643-1	Class II+III
SPD to IEC 61643-21	Class I+II+III / D1+C2+C1
Plug-in system	RJ45 8(8)
Impulse durability wire-wire	C1: 0,3 kV / 0,15 kA (8/20µs)
Impulse durability wire-earth	C2: 3 kV / 1,5 kA (8/20µs)
Permitted temperature range, max.	80 °C
Permitted temperature range, min.	-20 °C