

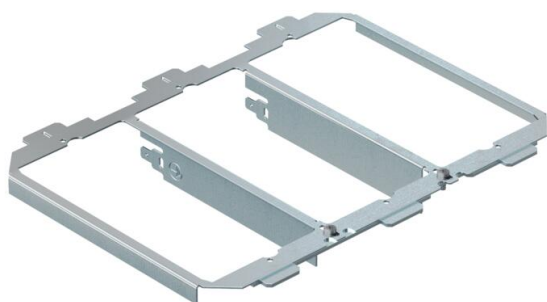
Technical data sheet

Mounting support, nominal size 6, for APMT2 cover plates

Item number: 7407752



Mounting support for accepting three APMT2 cover plates, which aid the installation of accessories in installation units of nominal size 6.



St Steel

FS Strip galvanized

Master data

Item number	7407752
Type	MT 6 AP2
Description 1	Mounting plate
Description 2	for 6 installation units
Manufacturer	OBO
Material	Steel
Surface	Strip galvanized
Surface standard	DIN EN 10346
Smallest sales unit	1
Unit of quantity	Piece
Weight	20 kg
Weight unit	kg/100 pc.

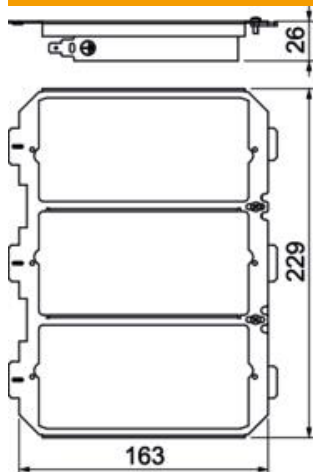
Technical data sheet

Mounting support, nominal size 6, for APMT2 cover plates

Item number: 7407752



Dimensions



Length	229 mm
Width	163 mm
Height	26 mm

Technical data

Number of installable devices	6
Number of single openings	3