

Technical data sheet

Slide nut with spring ZL

Item number: 1147318



Slide nut with spring for use with MS4121 und MS4141 profile rails



St Steel

F Hot galvanized

Master data

| | |
|---------------------|------------------------------|
| Item number | 1147318 |
| Type | MS41SNF M12 F |
| Description 1 | Slide nut with spring |
| Description 2 | for profile rail MS4121/4141 |
| Manufacturer | OBO |
| Dimension | M12 |
| Material | Steel |
| Surface | Hot galvanized |
| Surface standard | DIN 267, Teil 10 |
| Smallest sales unit | 50 |
| Unit of quantity | Piece |
| Weight | 4.55 kg |
| Weight unit | kg/100 pc. |

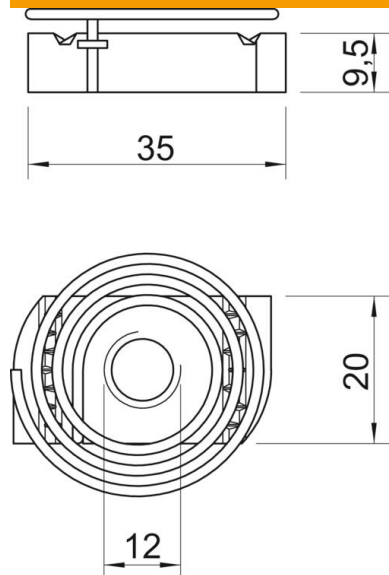
Technical data sheet

Slide nut with spring ZL

Item number: 1147318



Dimensions



| | |
|--------|--------|
| Length | 35 mm |
| Width | 20 mm |
| Height | 9.5 mm |

Technical data

| | |
|---------------|-----|
| Thread | M12 |
| Thread metric | 12 |
| With spring | yes |