

Technical data sheet

Vertical bend, three-compartment, height 28 mm

Item number: 7400644



For vertical direction changes of screed-covered underfloor installation ducts (wall connections, supplies).

An important precondition for correct underfloor installation is the screed structure.

In the case of a screed-covered system, it is important that the screed thickness of the duct is at least 35 mm, to avoid the formation of cracks (DIN 18560).

Screed height: 60 mm only for on-floor connection technology (Telitank), 70 mm or more for underfloor connection technology.



St Steel

FS Strip galvanized

Master data

| | |
|---------------------|------------------------|
| Item number | 7400644 |
| Type | KV3 25028 |
| Description 1 | Vertical bend |
| Description 2 | 3 compartments for EÜK |
| Manufacturer | OBO |
| Material | Steel |
| Surface | Strip galvanized |
| Surface standard | DIN EN 10346 |
| Smallest sales unit | 1 |
| Unit of quantity | Piece |
| Weight | 213 kg |
| Weight unit | kg/100 pc. |

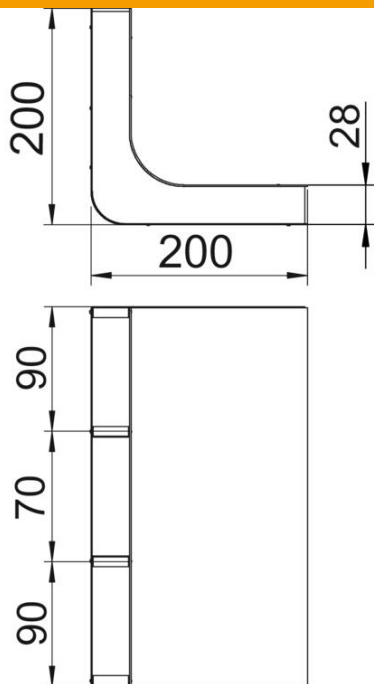
Technical data sheet

Vertical bend, three-compartment, height 28 mm

Item number: 7400644



Dimensions



| | |
|-------------|--------|
| Length | 200 mm |
| Width | 250 mm |
| Height | 28 mm |
| Dimension a | 90 mm |
| Dimension b | 70 mm |
| Dimension h | 28 mm |

Technical data

| | |
|---|----------------------|
| Number of fixed partitions | 2 |
| Number of compartments | 3 St. |
| Suitable for screed-flush closed underfloor ducts | no |
| Suitable for screed-covered underfloor ducts | yes |
| Trunking width, min. | 250 mm |
| Duct height, min. | 28 mm |
| Cross-section, draw a | 2288 mm ² |
| Cross-section, draw b | 1794 mm ² |