

Technical data sheet

Beam clamp for cable ladders KLL 52 A2

Item number: 6221073



Beam clamp for fastening cable ladders to steel girders.



CE

A2 Stainless steel

2B Bright, treated

Master data

| | |
|---------------------|------------------|
| Item number | 6221073 |
| Type | KLL 52 A2 |
| Description 1 | Hold-down clamp |
| Description 2 | for cable ladder |
| Manufacturer | OBO |
| Dimension | 52x88x5 |
| Material | Stainless steel |
| Surface | Bright, treated |
| Surface standard | |
| Smallest sales unit | 10 |
| Unit of quantity | Piece |
| Weight | 21 kg |
| Weight unit | kg/100 pc. |

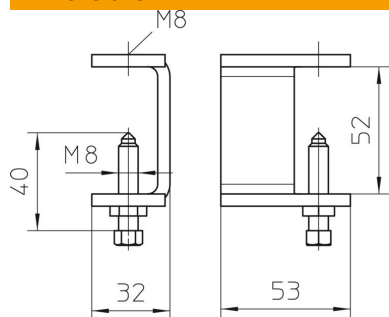
Technical data sheet

Beam clamp for cable ladders KLL 52 A2

Item number: 6221073



Dimensions



| | |
|--------|-------|
| Height | 52 mm |
|--------|-------|