

Technical data sheet

External corner, symmetrical, for device installation trunking Rapid 80 type GS-S70170

Item number: 6277612



External corner for changing the direction of the GS device installation trunking.



St Steel

Master data

Item number	6277612
Type	GS-SA70170LGR
Description 1	External corner
Description 2	symmetrical
Manufacturer	OBO
Dimension	70x170x300
Colour	Light grey; RAL 7035
Material	Steel
Smallest sales unit	1
Unit of quantity	Piece
Weight	236 kg
Weight unit	kg/100 pc.

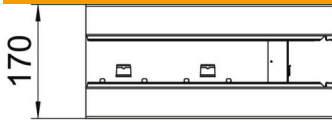
Technical data sheet

External corner, symmetrical, for device installation trunking Rapid 80 type GS-S70170

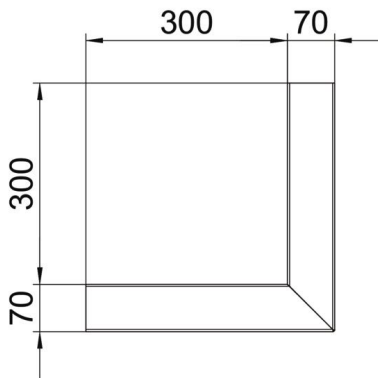
Item number: 6277612



Dimensions



Length	300 mm
Width	170 mm
Height	70 mm



Technical data

Number of covers	1
Version for	Base
for duct width	170 mm
for trunking height	70 mm
Halogen-free	yes
Cable retaining clip	no
Duct connector	no
Cover mounting type	Internal
Mounting perforation in base	yes
Cover width	76.5 mm
Protective film	yes
Symmetrical	yes
Angle range, min.	90 mm