

# Technical data sheet

Device installation trunking Rapid 80, trunking width 130,  
trunking height 70, asymmetrical  
Item number: 6277407



GS device installation trunking for mounting on the wall or on fastening panels. The GS device installation trunking possesses self-contacting locking straps to accept a sheet steel partition. The equipotential bonding between the trunking bases takes place using the trunking coupling. The protective measure and the equipotential bonding is guaranteed between the cover and the base by the self-contacting trunking cover. The real system opening is 76.5 mm. The cover must be ordered separately.

Over-lengths of up to 3,000 mm for trunking bases and covers as well as other RAL colours can be provided on request. The visible surfaces of the painted device installation trunking are laminated.



St Steel

## Master data

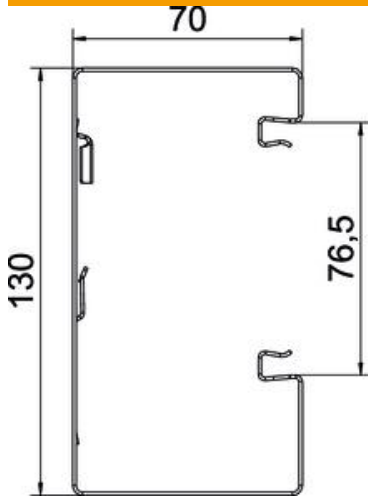
Item number	6277407
Type	GS-A70130RW
Description 1	Device installation trunking
Description 2	asymmetrical
Manufacturer	OBO
Dimension	70x130x3000
Colour	Pure white; RAL 9010
Material	Steel
Smallest sales unit	3
Unit of quantity	Metre
Weight	289 kg
Weight unit	kg/100 m

# Technical data sheet

Device installation trunking Rapid 80, trunking width 130, trunking height 70, asymmetrical  
Item number: 6277407



## Dimensions



Length	3,000 mm
Width	130 mm
Height	70 mm

## Technical data

Number of covers	1
Number of insertable partitions	1
Rear panel version (inner side)	With locking lugs
Rectangular shape	yes
Base perforation	with base perforation
Halogen-free	yes
Cable retaining clip	no
Duct connector	no
Cover mounting type	Internal
Mounting perforation in base	yes
Usable cross-section	7480 mm <sup>2</sup>
Cover supplied	no
Cover width	76.5 mm
Protection rating	IP30
Protective film	yes
Protection rating IK code	IK10
Symmetrical	no
Permitted temperature range, max.	60 °C
Permitted temperature range, min.	-25 °C