

Technical data sheet

Flat angle cover, smooth

Item number: 6114250



Flat angle cover made of halogen-free PC/ABS.



PC/ABS Polycarbonate/Acrylnitrile-butadiene-styrene

Master data

Item number	6114250
Type	GKH-OTGFRW
Description 1	Cover, halogen-free
Description 2	flat angle, smooth
Manufacturer	OBO
Colour	Pure white; RAL 9010
Material	Polycarbonate/Acrylnitrile-butadiene-styrene
Smallest sales unit	1
Unit of quantity	Piece
Weight	13 kg
Weight unit	kg/100 pc.

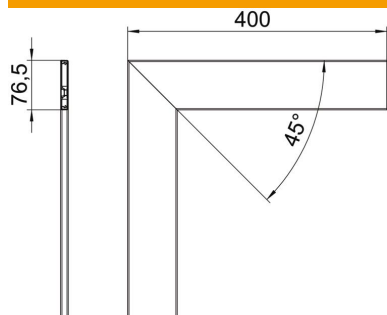
Technical data sheet

Flat angle cover, smooth

Item number: 6114250



Dimensions



Length	400 mm
Width	76.5 mm
Height	12 mm

Technical data

Version for	Smooth
Halogen-free	yes
Cover mounting type	Internal
Protection rating	IP30
Protective film	yes
Protection rating IK code	IK08
Permitted temperature range, max.	90 °C
Permitted temperature range, min.	-15 °C