

Technical data sheet

End piece, Swing, right

Item number: 6115925



End piece for design device installation trunking of the GAD series. "Swing" design version. The end piece can only be used for closing on the right side. Standard version in anodised aluminium, different decoration on request.



- Alu** Aluminium
- EL** Anodised

Master data

Item number	6115925
Type	GAD ER Swing EL
Description 1	End piece, Design duct, right
Description 2	Design Swing
Manufacturer	OBO
Dimension	133x140x37
Material	Aluminium
Surface	Anodised
Surface standard	
Smallest sales unit	1
Unit of quantity	Piece
Weight	16.1 kg
Weight unit	kg/100 pc.

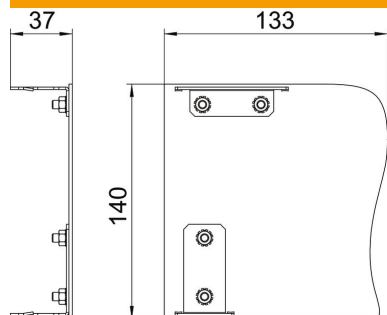
Technical data sheet

End piece, Swing, right

Item number: 6115925



Dimensions



Length	37 mm
Width	140 mm
Height	133 mm

Technical data

Version for	Asymmetrical
Fastening type	Lockable
for duct width	140 mm
for trunking height	114 mm
Suitable for	Right
Halogen-free	yes
Cut lamination	no
Protective film	yes