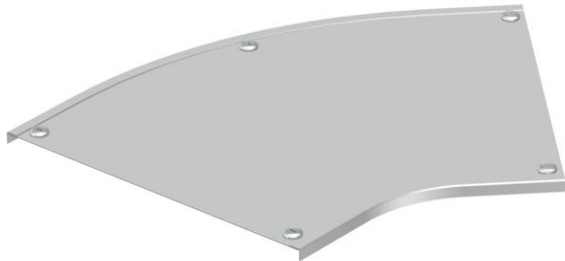


Technical data sheet

Cover for 45° bend A4

Item number: 7133992



Cover for 45° bend with pre-mounted turn buckles.
The cover can be used with fittings of all side heights.



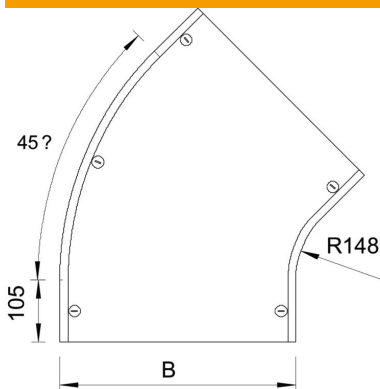
A4 Stainless steel

2B Bright, treated

Master data

Item number	7133992
Type	DFB 45 500 A4
Description 1	45° bend cover
Description 2	with sash locks, for RB 45 500
Manufacturer	OBO
Dimension	B500mm
Material	Stainless steel
Surface	Bright, treated
Surface standard	
Smallest sales unit	1
Unit of quantity	Piece
Weight	298.2 kg
Weight unit	kg/100 pc.

Dimensions



Width	500 mm
Width	20 in
Height	35 mm
Plate thickness	0.05 in
Plate thickness	1.25 mm
Dimension B	500 mm

Technical data sheet

Cover for 45° bend A4

Item number: 7133992



Technical data

Bend (angle)	45°
Fastening type	Sash lock
Maintain electrical functions	no
Suitable for mesh cable tray	no
Suitable for cable ladder	yes
Suitable for cable tray	yes
Change of direction	Horizontal
Rustproof steel, pickled	no
Hinged	no