

# Technical data sheet

## Cover for 90° Magic bend A4

Item number: 7138600



Cover for 90° bend with pre-mounted turn buckles.  
The cover can be used with fittings of all side heights.



**A4** Stainless steel

**2B** Bright, treated

### Master data

Item number	7138600
Type	DFBM 90 500 A4
Description 1	90° bend cover
Description 2	for bend RBM 90 500
Manufacturer	OBO
Dimension	B=500mm
Material	Stainless steel
Surface	Bright, treated
Surface standard	
Smallest sales unit	1
Unit of quantity	Piece
Weight	245.5 kg
Weight unit	kg/100 pc.

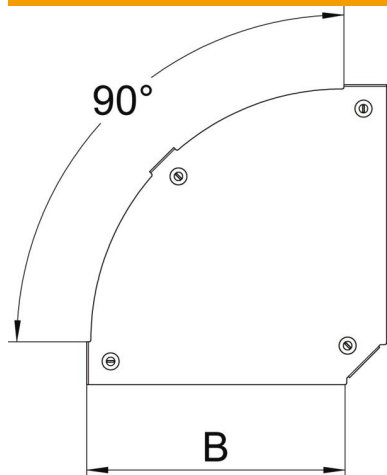
# Technical data sheet

## Cover for 90° Magic bend A4

Item number: 7138600



### Dimensions



Width	500 mm
Plate thickness	1.25 mm
Dimension B	500 mm

### Technical data

Bend (angle)	90°
Fastening type	Sash lock
Maintain electrical functions	no
Suitable for mesh cable tray	no
Suitable for cable ladder	yes
Suitable for cable tray	yes
Change of direction	Horizontal
Rustproof steel, pickled	no
Hinged	no