

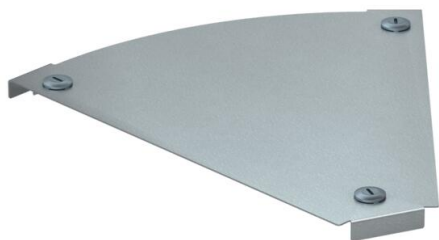
Technical data sheet

Cover for 45° Magic bend DD

Item number: 7138406



Cover for 45° bend with pre-mounted turn buckles.
The cover can be used with fittings of all side heights.



St Steel

DD Strip galvanised zinc/aluminium, Double Dip

Master data

| | |
|---------------------|---|
| Item number | 7138406 |
| Type | DFBM 45 300 DD |
| Description 1 | 45° bend cover |
| Description 2 | for bend RBM 45 300 |
| Manufacturer | OBO |
| Dimension | B=300mm |
| Material | Steel |
| Surface | Strip galvanised zinc/aluminium, Double Dip |
| Surface standard | DIN EN 10346 |
| Smallest sales unit | 1 |
| Unit of quantity | Piece |
| Weight | 52.4 kg |
| Weight unit | kg/100 pc. |

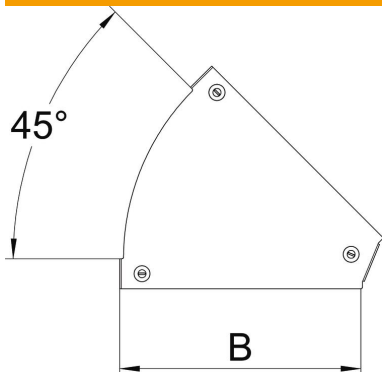
Technical data sheet

Cover for 45° Magic bend DD

Item number: 7138406



Dimensions



| | |
|-----------------|---------|
| Width | 300 mm |
| Width | 12 in |
| Plate thickness | 0.05 in |
| Plate thickness | 1.25 mm |
| Dimension B | 300 mm |

Technical data

| | |
|-------------------------------|------------|
| Bend (angle) | 45° |
| Fastening type | Sash lock |
| Maintain electrical functions | no |
| Suitable for mesh cable tray | no |
| Suitable for cable ladder | no |
| Suitable for cable tray | yes |
| Change of direction | Horizontal |
| Rustproof steel, pickled | no |
| Hinged | no |