

Technical data sheet

Floor bracket

Item number: 6288180



The BVL floor holder is used to fasten vertical profile connectors of type PVV/ N2... on the floor.



St Steel

Master data

Item number	6288180
Type	BVL
Description 1	Floor holder
Manufacturer	OBO
Dimension	30x60x73
Material	Steel
Smallest sales unit	1
Unit of quantity	Piece
Weight	6 kg
Weight unit	kg/100 pc.

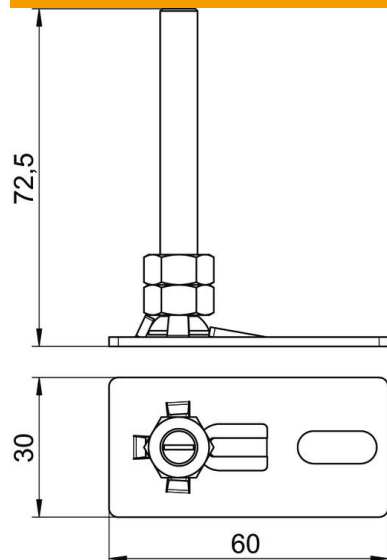
Technical data sheet

Floor bracket

Item number: 6288180



Dimensions



Length	60 mm
Width	30 mm
Height	73 mm

Technical data

Accessories	yes
Spare part	no
Magnetic	no