

Technical data sheet

Wall bracket AW 80

Item number: 6417817



Heavy-duty wall bracket with welded head plate.
When fastening cable trays and ladders with truss-head bolts of size M6, please order large washers separately (perforation in bracket 9 x ...).



St Steel

FT Hot-dip galvanised

Master data

| | |
|---------------------|------------------------|
| Item number | 6417817 |
| Type | AW 80 51 FT |
| Description 1 | Wall bracket |
| Description 2 | with welded head plate |
| Manufacturer | OBO |
| Dimension | B510mm |
| Material | Steel |
| Surface | Hot-dip galvanised |
| Surface standard | DIN EN ISO 1461 |
| Smallest sales unit | 1 |
| Unit of quantity | Piece |
| Weight | 355 kg |
| Weight unit | kg/100 pc. |

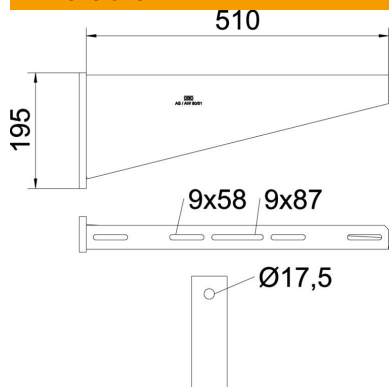
Technical data sheet

Wall bracket AW 80

Item number: 6417817



Dimensions

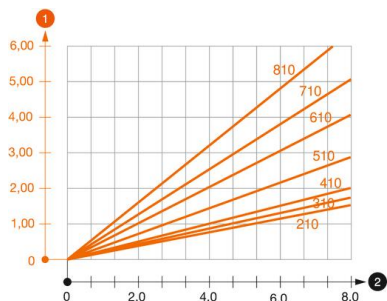


| | |
|-------------|--------|
| Length | 60 mm |
| Width | 510 mm |
| Height | 195 mm |
| Dimension A | 60 mm |
| Dimension B | 510 mm |
| Dimension H | 195 mm |

Technical data

| | |
|-------------------------------|--------------------------|
| Version for | Wall and support bracket |
| F in kN | 8 kN |
| Maintain electrical functions | no |
| Hole diameter | 17.5 mm |
| Rustproof steel, pickled | no |
| Angle range, max. | 90 mm |
| Angle range, min. | 90 mm |

Loads



Load diagram, bracket, type AW 80

- 1** Bending of the bracket tip at permitted bracket load
- 2** Permitted bracket load in kN without man load
- Load curve with bracket lengths in mm

Characteristic anchor load values for wall bracket AW 80

| Anchor type | Wall fastening | | | | | | |
|-----------------|--------------------|------|------|------|------|------|------|
| | Max. load [kN] | | | | | | |
| | Bracket width [mm] | | | | | | |
| | 210 | 310 | 410 | 510 | 610 | 710 | 810 |
| BZ3 16x135/0-35 | 7.31 | 7.66 | 6.87 | 6.38 | 5.90 | 5.17 | 4.69 |

Max. total load F = cable weight + cable tray + bracket. The load capacity values increase considerably when used in uncracked concrete. The values given are based on concrete of strength class C20/25. Observe the installation conditions of the DIBt approval (anchors).