

Technical data sheet

Wall bracket, variable AWV FT

Item number: 6419577



Variable wall bracket for fixing to sloping or vaulted walls.
Usable bracket length dependent on adjustment angle. The largest possible adjustment angle is 30°.



St Steel

FT Hot-dip galvanised

Master data

Item number	6419577
Type	AWV 41 FT
Description 1	Wall bracket, variable
Manufacturer	OBO
Dimension	B410mm
Material	Steel
Surface	Hot-dip galvanised
Surface standard	DIN EN ISO 1461
Smallest sales unit	1
Unit of quantity	Piece
Weight	171 kg
Weight unit	kg/100 pc.

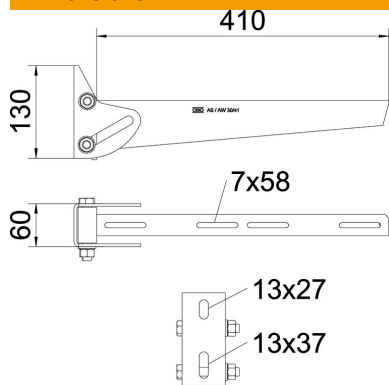
Technical data sheet

Wall bracket, variable AWV FT

Item number: 6419577



Dimensions



Length	60 mm
Width	410 mm
Height	130 mm
Dimension A	60 mm
Dimension B	410 mm
Dimension H	130 mm

Technical data

Version for	Wall brackets
F in kN	0.9 kN
Maintain electrical functions for width max.	no
for width min.	90 mm
Hole diameter	60
Rustproof steel, pickled	13 mm
	no