

Technical data sheet

Connection module Cat. 6A, unshielded, Keystone

Item number: 6117348



Connection module Cat. 6A (ISO) unshielded, with an RJ45 slot. Including a dust cover, a cable tie, a Keystone fastening frame and mounting instructions. Suitable for installation in the data technology supports of type DTG-2C and DTS-2C, support plate of type MTM 2C and MTM 3C, mounting plate of type MPR2 2C, mounting supports of type MTGE2 2C, MTGE2 15 2C and MTGE2 F 2C.



Master data

Item number	6117348
Type	ASM-C6A
Description 1	Connection module CAT 6A
Description 2	unscreened
Manufacturer	OBO
Colour	Grey
Smallest sales unit	1
Unit of quantity	Piece
Weight	1.05 kg
Weight unit	kg/100 pc.

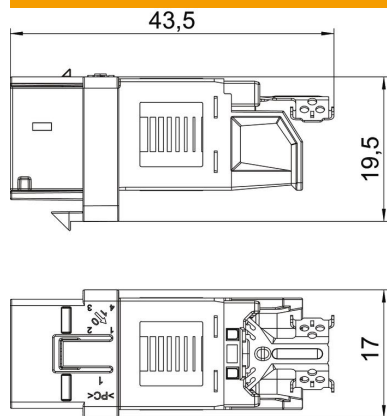
Technical data sheet

Connection module Cat. 6A, unshielded, Keystone

Item number: 6117348



Dimensions



Length	43.5 mm
Width	17 mm
Height	19.5 mm

Technical data

Category	6A (IEC)
Mounting opening	Type C