

# Technical data sheet

## Cable and pipe spacer clip 733 FT

Item number: 1361118



- \* Size M16 is not suitable for nail device.
- \* Sizes M16 to PG16 not suitable for bolt-firing tool.



**St** Steel

**FT** Hot-dip galvanised

### Master data

Item number	1361118
Type	733 63 FT
Description 1	Distance saddle
Description 2	with slot
Manufacturer	OBO
Dimension	63mm
Material	Steel
Surface	Hot-dip galvanised
Surface standard	DIN EN ISO 1461
Smallest sales unit	20
Unit of quantity	Piece
Weight	7.25 kg
Weight unit	kg/100 pc.

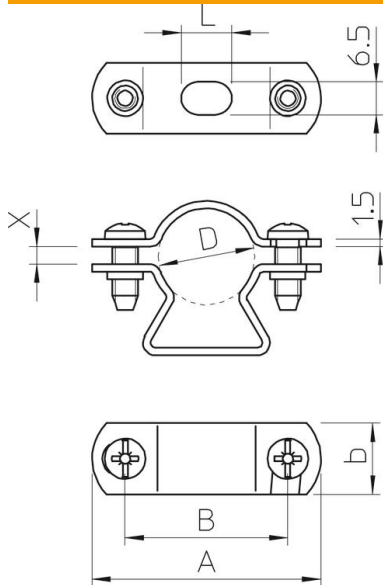
# Technical data sheet

## Cable and pipe spacer clip 733 FT

Item number: 1361118



### Dimensions



Length	101 mm
Width	16 mm
Dimension A	101 mm
Dimension B	83 mm
Dimension b	16 mm
Dimension L	18 mm
Dimension x	3 mm

### Technical data

Distance to the wall	yes
Number of cables/pipes	1
Version for	Closed
Fastening type	Screw hole
Suitable in fire protection area	yes
Size	M63
Halogen-free	yes
Plastic-covered	no
Hole size	8 x 18 mm
Material thickness	2 mm
Bolt	M5 x 18
Clamping range D, max.	63 mm
Clamping range D, min.	63 mm
UV-resistant	yes