

# Technical data sheet

## Cable and pipe spacer clip 733 V2A

Item number: 1362127



- \* Size M16 is not suitable for nail device
- \* Sizes M16 - PG16 are not suitable for bolt-firing tool



**A2** Stainless steel

**2B** Bright, treated

### Master data

Item number	1362127
Type	733 63 A2
Description 1	Distance saddle
Description 2	with slot
Manufacturer	OBO
Dimension	63mm
Material	Stainless steel
Surface	Bright, treated
Surface standard	
Smallest sales unit	20
Unit of quantity	Piece
Weight	6.94 kg
Weight unit	kg/100 pc.

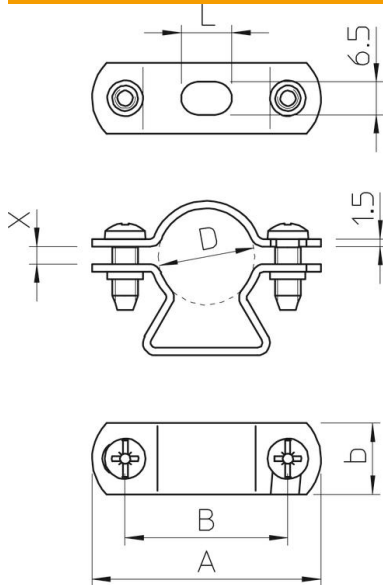
# Technical data sheet

## Cable and pipe spacer clip 733 V2A

Item number: 1362127



### Dimensions



Dimension A	101 mm
Dimension B	83 mm
Dimension b	16 mm
Dimension D	63.5 mm
Dimension L	18 mm
Dimension x	0 mm

### Technical data

Distance to the wall	yes
Number of cables/pipes	1
Version for	Closed
Fastening type	Screw hole
Suitable in fire protection area	yes
Size	M63
Halogen-free	yes
Plastic-covered	no
Hole size	8 x 18 mm
Material thickness	2 mm
Bolt	M5 x 18
Clamping range D, max.	63 mm
Clamping range D, min.	63 mm
UV-resistant	yes