

Technical data sheet

Cable and pipe spacer clip 733 V4A

Item number: 1361667



* Size M16 is not suitable for nail device.
* Sizes M16 to PG16 not suitable for bolt-firing tool.



A4 Stainless steel

2B Bright, treated

Master data

| | |
|---------------------|-----------------|
| Item number | 1361667 |
| Type | 733 38 A4 |
| Description 1 | Distance saddle |
| Description 2 | with slot |
| Manufacturer | OBO |
| Dimension | 30-38mm |
| Material | Stainless steel |
| Surface | Bright, treated |
| Surface standard | |
| Smallest sales unit | 25 |
| Unit of quantity | Piece |
| Weight | 4.04 kg |
| Weight unit | kg/100 pc. |

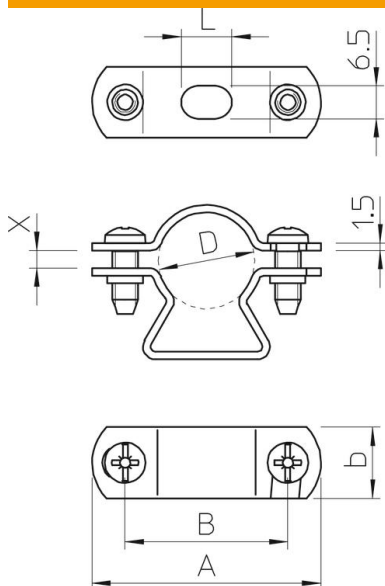
Technical data sheet

Cable and pipe spacer clip 733 V4A

Item number: 1361667



Dimensions



| | |
|-------------|---------|
| Dimension A | 70 mm |
| Dimension B | 54 mm |
| Dimension b | 16 mm |
| Dimension D | 38 mm |
| Dimension L | 10 mm |
| Dimension x | 11.5 mm |

Technical data

| | |
|----------------------------------|-------------|
| Distance to the wall | yes |
| Number of cables/pipes | 1 |
| Version for | Closed |
| Fastening type | Screw hole |
| Suitable in fire protection area | yes |
| Size | M 32 |
| Halogen-free | yes |
| Plastic-covered | no |
| Hole size | 6,5 x 10 mm |
| Material thickness | 1.5 mm |
| Bolt | M5 x 18 |
| Clamping range D, max. | 38 mm |
| Clamping range D, min. | 30 mm |
| UV-resistant | yes |