

Technical data sheet

4 mm² series connectors, polypropylene



Item number: 2056089



Tested according to EN 60998.

Steel terminals, steel screws, electrogalvanised, 12-pin, individual terminals detachable from strips using "twist'n'pull".

Captive upwards screw.

Max. approved ambient temperature to EN 60998: -5 to +80 °C.

Nominal cross-section 4 mm².

Nominal voltage 450 V.

Nominal current 32 A.

Max. attachment each side: 4 mm² single-wire or 2.5 mm² multi-wire/flexible.

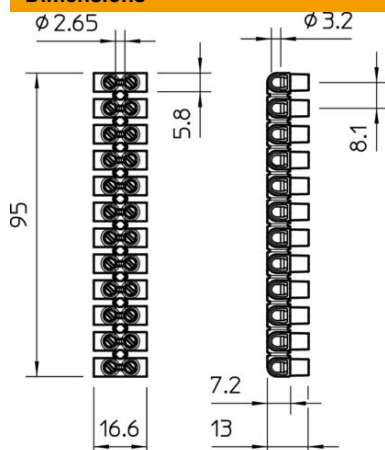


PP Polypropylene

Master data

Item number	2056089
Type	72 CE SW/EKL 0 S
Description 1	Terminal strip
Manufacturer	OBO
Dimension	4,0mm ²
Colour	Black
Material	Polypropylene
Smallest sales unit	10
Unit of quantity	Piece
Weight	1.8 kg
Weight unit	kg/100 pc.

Dimensions



Length	95 mm
Width	16.6 mm
Height	13 mm

Technical data sheet

4 mm² series connectors, polypropylene

Item number: 2056089



Technical data

Closing plate required	no
Connectable conductor cross-section, single-wire, max.	4 mm ²
Connectable conductor cross-section, single-wire, min.	1 mm ²
Connectable conductor cross-section, fine-wire without wire-end ferrule, max.	4 mm ²
Connectable conductor cross-section, fine-wire without wire-end ferrule, min.	1 mm ²
Connectable conductor cross-section, multi-wire, max.	4 mm ²
Connectable conductor cross-section, multi-wire, min.	1 mm ²
Connection position	Side
No. of terminals	12
Number of screwless terminals per pole	2
Version of electrical connection 1	Screw connection
Version of electrical connection 2	Screw connection
Drill hole spacing, centre	8.1 mm
Explosion-tested version	no
Suitable for flexible conductors	yes
Suitable for solid conductors	yes
Suitable for multi-wire conductors	yes
Mounting type	Direct mounting
Nominal cross-section, min.	4 mm ²
Nominal voltage	450 V
Nominal current	32 A
Pole number	12
Cross-section	Max. attachment each side: 4 mm ² single-wire or 2.5 mm ² multi-wire/flexible mm ²
Screw tightening torque	0.4 kN/m
Permitted temperature range, max.	80 °C
Permitted temperature range, min.	-5 °C
Transparent	no
Ambient temperature	80 °C