

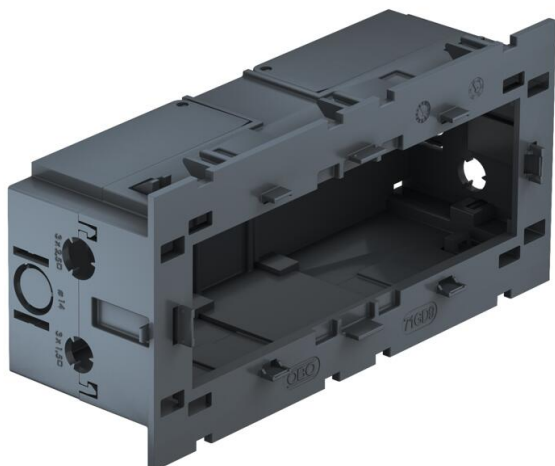
# Technical data sheet

## Accessory mounting box 71GD9, triple, for Modul 45®

Item number: 6288579



Front locking triple accessory mounting box for Modul 45® system, with folding, and also removable, base for time-saving cable connection, with feed openings for cable diameters of up to 14 mm.



PA Polyamide

### Master data

Item number	6288579
Type	71GD9-2
Description 1	Accessory mounting box
Description 2	triple for Modul 45
Manufacturer	OBO
Dimension	51x76x160
Colour	Iron grey; RAL 7011
Material	Polyamide
Smallest sales unit	1
Unit of quantity	Piece
Weight	11.6 kg
Weight unit	kg/100 pc.

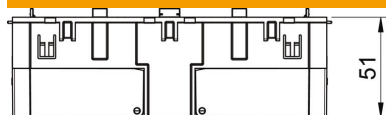
# Technical data sheet

## Accessory mounting box 71GD9, triple, for Modul 45®

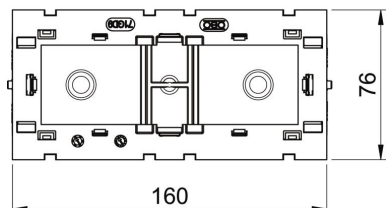
Item number: 6288579



### Dimensions



Length	160 mm
Width	76 mm
Height	51 mm



### Technical data

Number of units	3
Version for	Closed
Fastening track	Other
Halogen-free	yes
With connection compartment	yes
Box mounting type	Front
Accessory mounting type	Lock
Strain relief option	yes