

Technical data sheet

Folding and construction clamp, 10–20 mm

Item number: 5304407



- Flange thickness to 12 or 10–20 mm
- With pre-mounted fix contact clamping screw 5000
- 2 hexagonal bolts M8 x 20, bolts made of hot galvanised steel
- Terminal block made of malleable iron, hot galvanised
- Mounting of the round conductors either vertical or transverse to structure
- Corresponds to the requirements of DIN VDE 0185-305-3



SG cast steel

FT Hot-dip galvanised

Master data

Item number	5304407
Type	5004 DIN-FT 12
Description 1	Folding clamp
Description 2	fix contact
Manufacturer	OBO
Dimension	12mm
Material	cast steel
Surface	Hot-dip galvanised
Surface standard	DIN EN ISO 1461
Smallest sales unit	10
Unit of quantity	Piece
Weight	18.73 kg
Weight unit	kg/100 pc.

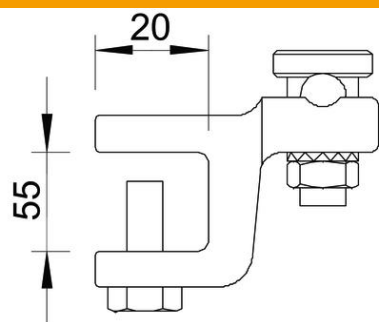
Technical data sheet

Folding and construction clamp, 10–20 mm

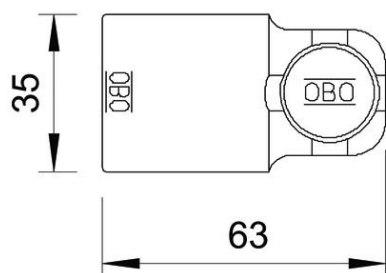
Item number: 5304407



Dimensions



Dimension L	55 mm
Dimension t	20 mm



Technical data

Type of fastening screw	Clamping screw
Type of connector	Clamp connector
Lightning current carrying capacity	N/50 kA
Suitable for connection	Miscellaneous
Fit	Rd 8-10 mm
Intermediate plate	no
Clamping range, max.	12 mm