

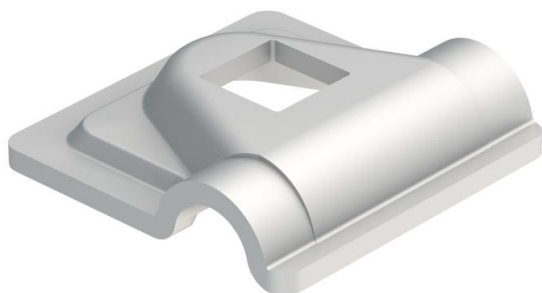
Technical data sheet

Quick connector, upper part Rd 8–10 mm

Item number: 5311585



- For round conductor fastening Rd 8-10
- Suitable for M10 bolts



Alu Aluminium

Master data

Item number	5311585
Type	249 8-10 ALU-OT
Description 1	Quick connector
Description 2	RD 8-10 on aluminium frame
Manufacturer	OBO
Dimension	44x44mm
Material	Aluminium
Smallest sales unit	100
Unit of quantity	Piece
Weight	2.1 kg
Weight unit	kg/100 pc.

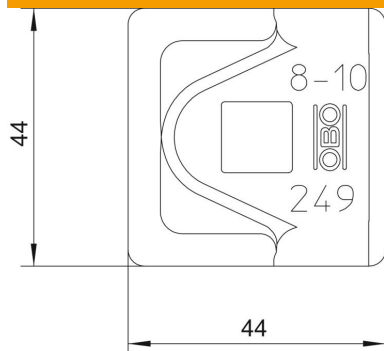
Technical data sheet

Quick connector, upper part Rd 8–10 mm

Item number: 5311585



Dimensions



Dimension A	44 mm
-------------	-------

Technical data

Type of fastening screw	Miscellaneous
Fit	Rd 8-10 mm