

Technical data sheet

Cable bracket, Rd 8–10 mm with bonding base

Item number: 5207451



- For bonding to concrete, steel or smooth substrates
- Not suitable for rough surfaces such as plaster, wood, bitumen strips
- Processing at > +15 °C and on cleaned substrate
- When installing flat conductors and round conductors, expansion elements are to be used for thermal compensation
- Use on film roofs after consultation with the responsible roof construction company

PA Polyamide

Master data

Item number	5207451
Type	177 20 KL
Description 1	Cable fixing device
Description 2	with bonding base and thread
Manufacturer	OBO
Dimension	M8
Material	Polyamide
Smallest sales unit	50
Unit of quantity	Piece
Weight	1.239 kg
Weight unit	kg/100 pc.

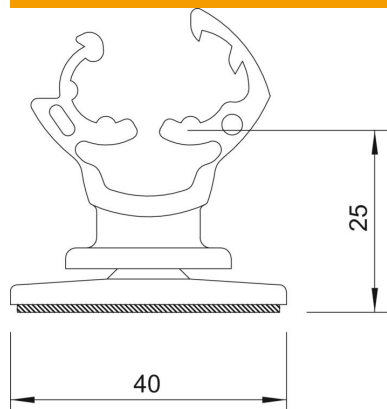
Technical data sheet

Cable bracket, Rd 8–10 mm with bonding base

Item number: 5207451



Dimensions



Dimension H	25 mm
-------------	-------

Technical data

Conductor fastening type	With clip
Use in Ex area	yes
High voltage-resistant, insulated version	no
Material of the holder	Polyamide
Material of the base	Polyamide
Material of the crossbar	Polyamide