

# Technical data sheet

165 MBG... roof cable holder for flat roofs, black, with concrete

Item number: 5218675



- Closed form with base
- With double conductor holder
- Filling weight 1 kg (frost-resistant concrete)
- Sleeve made of polyethylene, black, UV-resistant and weather-resistant
- Base made of polyamide PA 6, black, UV-resistant and weather-resistant
- Base can be used on almost all roofing felt systems (bitumen, PVC)
- Types 165 MBG...FO: Packed in foil bag

**PA/PE** Polyamide/Polyethylene

## Master data

Item number	5218675
Type	165 MBG-10
Description 1	Roof conductor holder
Description 2	for flat roofs
Manufacturer	OBO
Dimension	10mm
Material	Polyamide/Polyethylene
Smallest sales unit	12
Unit of quantity	Piece
Weight	106 kg
Weight unit	kg/100 pc.

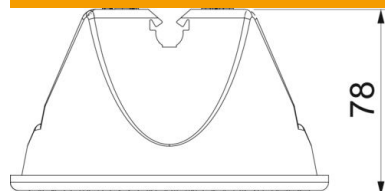
# Technical data sheet

165 MBG... roof cable holder for flat roofs, black, with concrete

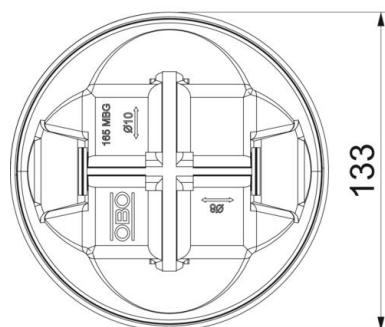
Item number: 5218675



## Dimensions



Length 133.5 mm



## Technical data

Application	Flat roof
Conductor fastening type	With clip
Conductor diameter, max.	10
Conductor diameter, min.	10
Mounting type	Miscellaneous
Fit	Rd 10 mm
Material of the holder	Plastic
Material of the support	Concrete