

# Technical data sheet

## Roof conductor holder for flat roofs, with raised cable bracket

Item number: 5218977



- Filling weight 1 kg (frost-resistant concrete)
- With conductor holder, type 168 DIN-K
- Die-cast zinc conductor holder, electrogalvanised
- Polyethylene sleeve, black

### Master data

Item number	5218977
Type	165 KRB SO
Description 1	Roof conductor holder
Manufacturer	OBO
Dimension	8mm
Smallest sales unit	9
Unit of quantity	Piece
Weight	120 kg
Weight unit	kg/100 pc.

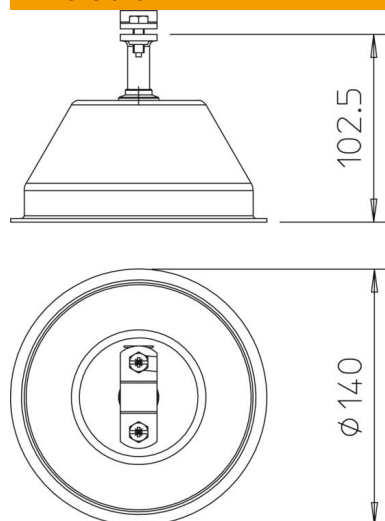
# Technical data sheet

Roof conductor holder for flat roofs, with raised cable bracket

Item number: 5218977



## Dimensions



Length 140 mm

## Technical data

Conductor diameter, max.	10
Conductor diameter, min.	8
Fit	Rd 8-10 mm
Material of the holder	Steel, hot galvanised
Material of the support	Concrete