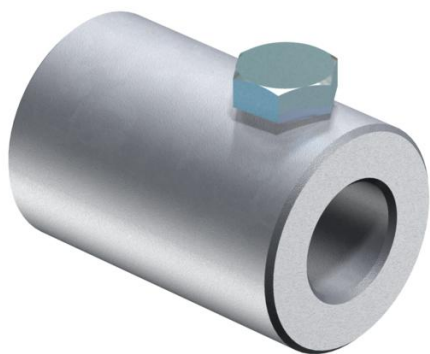


Technical data sheet

Wall connection

Item number: 5408687



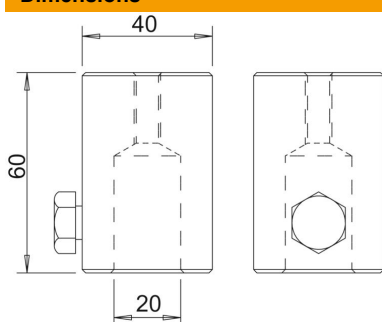
- For mounting insulating rods to structures or walls
- With M8 internal thread, e.g. for mounting the cable bracket type 177 (5207347) for loose conductor routing of round conductors
- Incl. M10 bolts

Alu Aluminium

Master data

Item number	5408687
Type	101 IW-M10
Description 1	Wall connection
Manufacturer	OBO
Dimension	M10
Material	Aluminium
Smallest sales unit	10
Unit of quantity	Piece
Weight	20 kg
Weight unit	kg/100 pc.

Dimensions



Length	60 mm
Dimension d min.	40 mm
Dimension d Ø	20 mm
Dimension L	60 mm

Technical data

Connection	Round conductor
Type of accessory	Miscellaneous