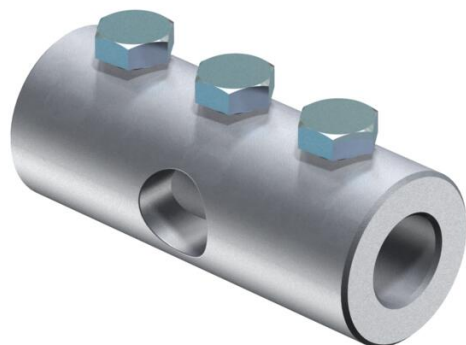


Technical data sheet

K connector

Item number: 5408296



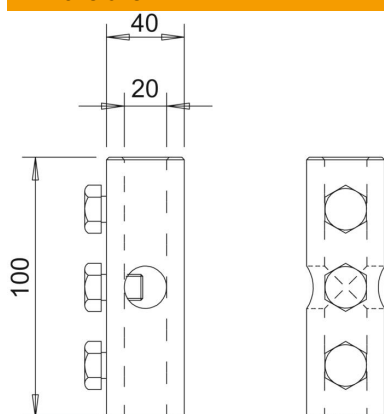
- K connector for installation of insulating rods
- With M10 bolts

Alu Aluminium

Master data

Item number	5408296
Type	101 IK
Description 1	Cross-connector
Manufacturer	OBO
Dimension	20mm
Material	Aluminium
Smallest sales unit	10
Unit of quantity	Piece
Weight	20 kg
Weight unit	kg/100 pc.

Dimensions



Length	100 mm
Dimension d min.	40 mm
Dimension d Ø	20 mm
Dimension L	100 mm

Technical data sheet

K connector

Item number: 5408296



Technical data

Connection

Round conductor