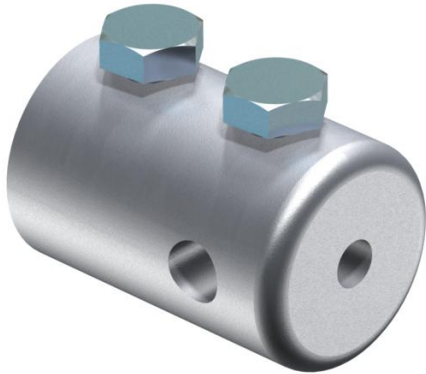


Technical data sheet

End piece

Item number: 5408393



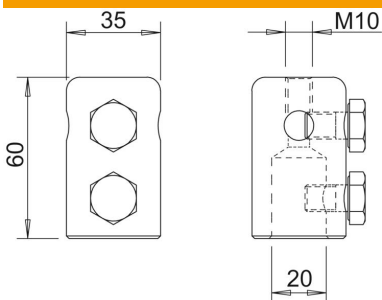
- End piece for attaching round conductors Rd 8-10 and air-termination tips, type 101 ISP
- With M10 internal thread, e.g. for mounting a Vario quick connector for fixed conductor routing at intersections
- With M10 bolts

Alu Aluminium

Master data

Item number	5408393
Type	101 IES
Description 1	End piece
Manufacturer	OBO
Dimension	20mm
Material	Aluminium
Smallest sales unit	10
Unit of quantity	Piece
Weight	20 kg
Weight unit	kg/100 pc.

Dimensions



Length	60 mm
Dimension d min.	35 mm
Dimension d Ø	20 mm
Dimension L	60 mm

Technical data

Connection	Round conductor
------------	-----------------