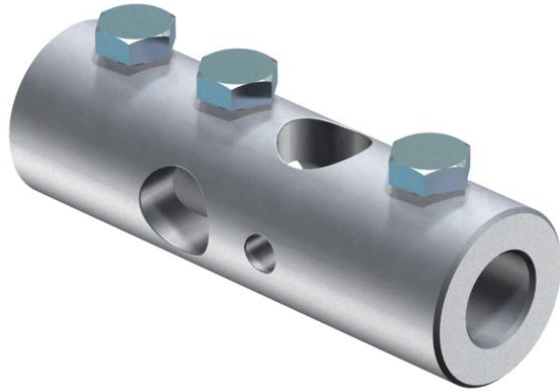


Technical data sheet

DK connector

Item number: 5408245



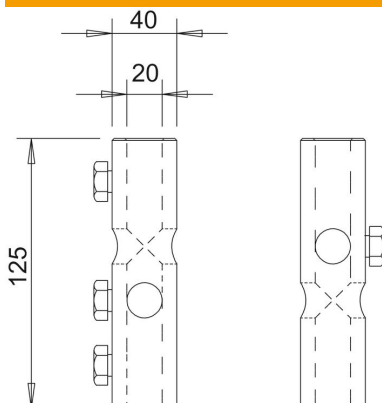
- DK connector link for installing insulating rods
- With M10 bolts

Alu Aluminium

Master data

Item number	5408245
Type	101 IDK
Description 1	DK connector
Manufacturer	OBO
Dimension	20mm
Material	Aluminium
Smallest sales unit	10
Unit of quantity	Piece
Weight	35.3 kg
Weight unit	kg/100 pc.

Dimensions



Length	125 mm
Dimension d min.	40 mm
Dimension d Ø	20 mm
Dimension L	125 mm

Technical data sheet

DK connector

Item number: 5408245



Technical data

Connection

Round conductor